

PRODUCT
CATALOGUE

SIMOR[®]
HARDWARE FITTINGS





About Us...

Crafting Excellence in Architectural and Kitchen Hardware Simor Hardware is a distinguished name in the world of architectural hardware, specializing in providing top-notch solutions for both residential and commercial spaces. With a focus on innovation, quality, and style, we have earned a reputation for being the preferred choice for discerning customers seeking the perfect finishing touches for their spaces.

Our Expertise

At Simor Hardware, we excel in delivering a comprehensive range of architectural and kitchen hardware solutions designed to enhance the functionality and aesthetics of your interiors. Our product offerings encompass a wide spectrum, including cabinetry handles, main door handles, and a variety of other hardware essentials.

Quality Craftsmanship

Quality is the cornerstone of our brand. Every Simor Hardware product is crafted with precision and attention to detail, using the finest materials and manufacturing techniques. Our commitment to excellence ensures that our hardware not only meets but exceeds industry standards, delivering enduring performance and durability.

Architectural Elegance

Our architectural hardware collection embodies elegance and functionality. From sleek and contemporary designs to timeless classics, Simor Hardware offers a diverse array of options to complement any architectural style. Our hardware solutions not only enhance the aesthetics of your spaces but also elevate the overall user experience.

Kitchen Hardware Innovation

In the heart of every home lies the kitchen, and Simor Hardware understands the importance of this space. Our kitchen hardware range combines innovative design with ergonomic practicality. Whether you seek handles, knobs, or other kitchen hardware, Simor Hardware brings you solutions that seamlessly blend style and functionality.

Main Door Handles with Character

Your main door is your gateway to the world. Simor Hardware offers an impressive selection of main door handles that make a statement. Our handles are not just functional; they exude character, security, and a welcoming touch to your entryways.

Customer

Centric Approach: We are dedicated to ensuring that our customers receive the highest level of service. Our team of experts is available to assist you in making informed choices that align with your design vision and requirements.

Global Reach, Local Values

Simor Hardware caters to a global clientele while upholding our core values of quality, integrity, and customer satisfaction. We believe in building lasting relationships with our customers, partners, and communities. **Experience the Simor Difference:** Choose Simor Hardware for a world of architectural and kitchen hardware solutions that redefine excellence. Explore our collection, and let us be your trusted partner in turning your architectural and design dreams into reality.

Elevate your spaces with Simor Hardware—where form meets function, and craftsmanship meets innovation.



CONTENT

Ladder Unit.....	01-04
Corner Unit.....	05-06
Rolling Shutter.....	07-08
Slim Tandem Box.....	09-10
Tandem Bottel Pull Out.....	11
Slim Box Accessories.....	12
Wicker Basket.....	13-14
Kitchen Basket.....	15-17
Bottle Pullout.....	18
Kitchen Accessories.....	19-20
Sliding Profile.....	21
Door Sliding Profile.....	22
Sliding Profile.....	23-25
Sliding Fitting.....	26
Door Sliding Fitting.....	27-28
Shutter Profile.....	29-34
Aluminium Profile.....	35-38
Bella Profile.....	39-40
Gola Profile.....	41-42
Wardrobe Pipe & Edge Profile.....	43
Decorative Profile (Aluminium).....	44
Decorative Profile (SS-304).....	45
Profile Connector.....	46
End Cap.....	47
Box Hinges.....	48-50
Gas Pump.....	51
Lift-UP.....	52
Bed Fitting	53
Telescopic & Quadro Channel.....	54
Door Closer.....	55-56
Cylindrical Lock.....	57
Drawer & Cupboard Lock.....	58
Sliding Lock.....	59
Profile Lock & Shelf Button.....	60
Door Magnet.....	61
Accessories.....	62



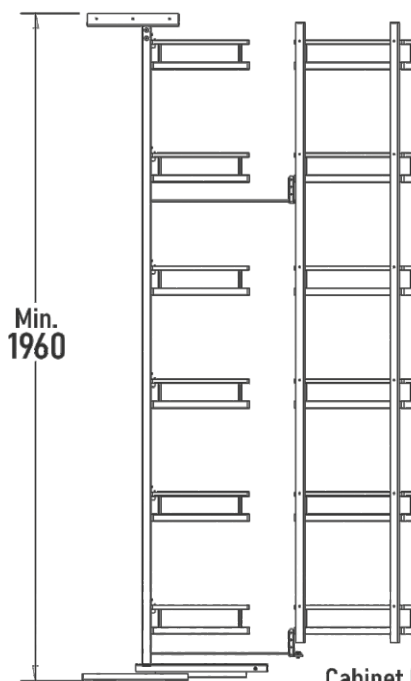
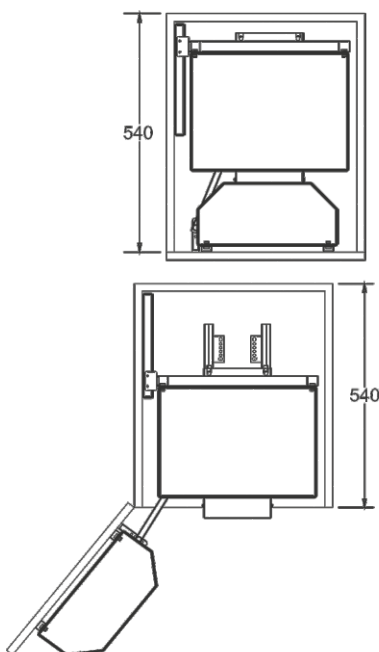


Tandem Pantry Unit

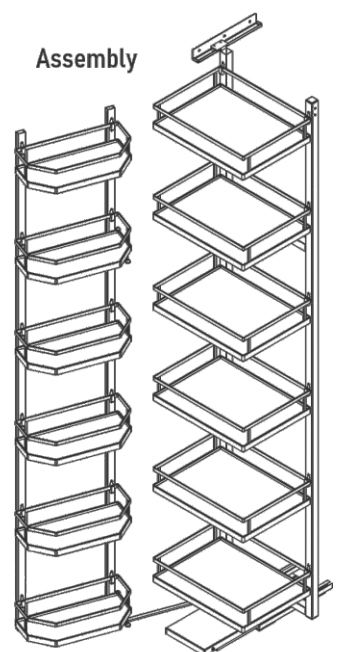
Item Code	Finish	Cabinet Size	Size In mm (wxdxh)
SKTPU-45 GR	GREY	450mm	380x510x1820
SKTPU- 60 GR	GREY	600mm	480x510x1820



- Perfect connections between basket and door.
- Soft close feature ensures effortless functioning.
- In-built slide-out mechanism for easy accessibility.
- Ideal for pantry storage of 450mm & 600mm wide cabinets.



Cabinet Requirement



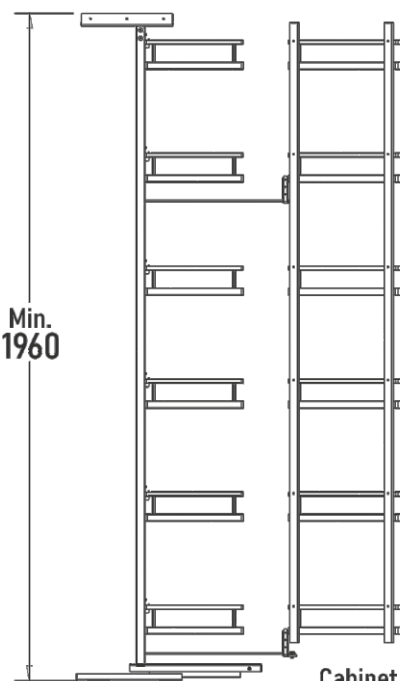
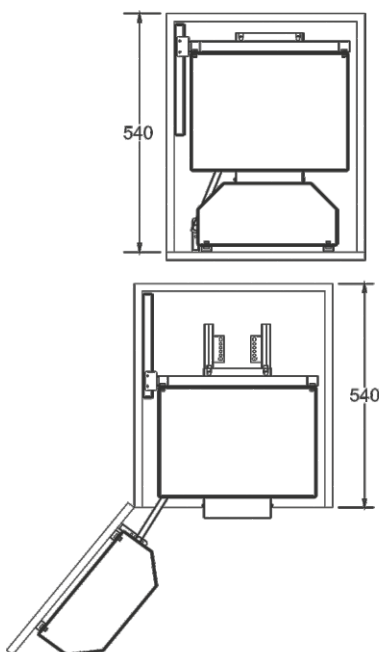




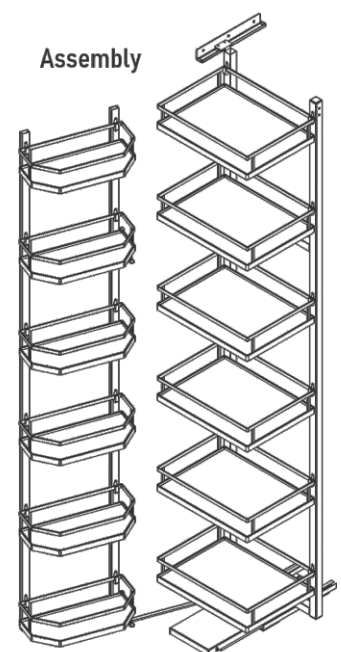
Tandem Pantry Unit Glass Grey

Item Code	Finish	Cabinet Size	Size In mm (wxdxh)
SKTPU-45 GLS	GREY	450mm	380x510x1820
SKTPU-60 GLS	GREY	600mm	480x510x1820

- Perfect connections between basket and door.
- Soft close feature ensures effortless functioning.
- In-built slide-out mechanism for easy accessibility.
- Ideal for pantry storage of 450mm & 600mm wide cabinets.



Cabinet Requirement



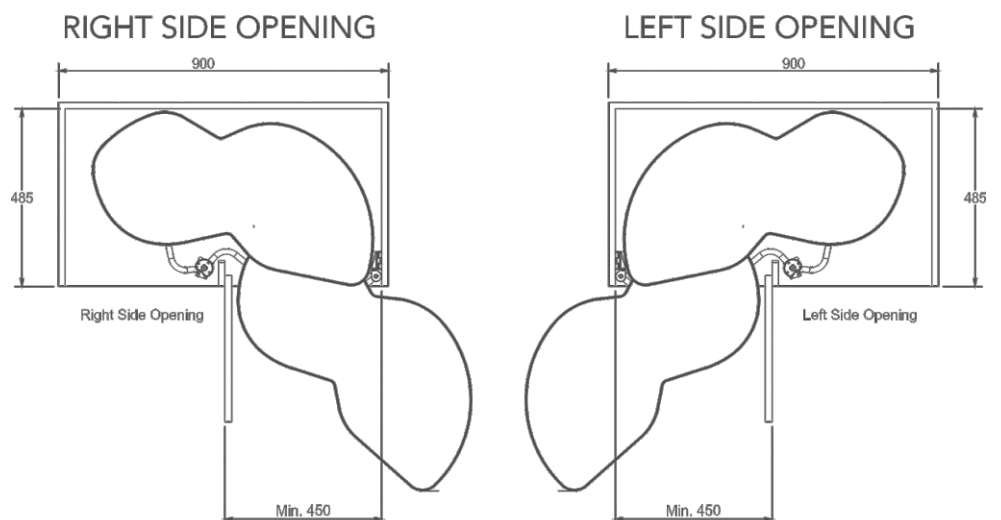


Swing Corner

Item Code	Finish	Cabinet Size	Size In Mm (wxdxh)	Deception
SKSC-10-GR	GREY	1050-1100	Dia. 815x400x(600-700) = 2 Layer	Left-Right Opening
SKSC-10-CH	CHROME	1050-1100	Dia. 815x400x(600-700) = 2 Layer	Left-Right Opening

- Door Opening Size 450mm
- Mechanism with soft close system
- Solid base 2 basket

Cabinet Requirement

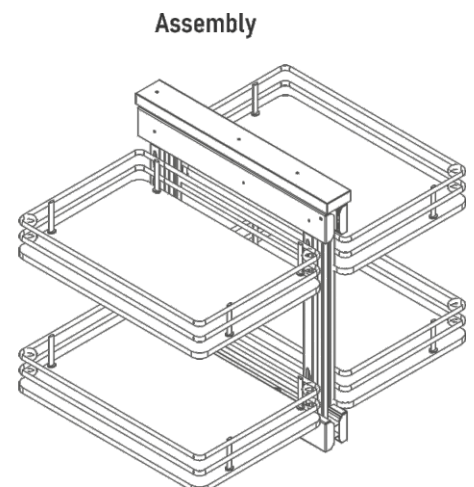
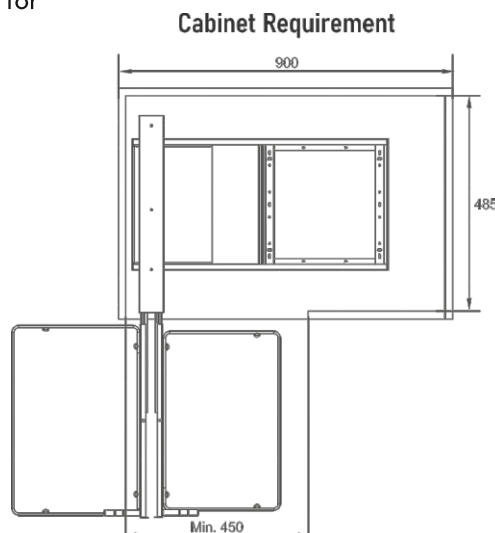




Show Hand Corner

Item Code	Finish	Cabinet Size	Size In mm (wxdxh)	Layers
SKSHC-11-GR	GREY	1050-1100 X 560 X720	660 X 515 X 600	2

- Door Opening Size-450 mm
- Optimal use of corner space
- Solid base 4 basket
- Mechanism with soft close system
- Same mechanism can be used for both left and right corner





Rolling Shutter White PVC

Item Code	Width (mm)	Depth (mm)	Height (mm)
SKRS-60-WPC	600	350	1320

Rolling Shutter Black PVC

Item Code	Width (mm)	Depth (mm)	Height (mm)
SKRS-60-BPC	600	350	1320





Rolling Shutter Black GLASS

Item Code	Width (mm)	Depth (mm)	Height (mm)
SKRS-60-BGS	600	350	1320

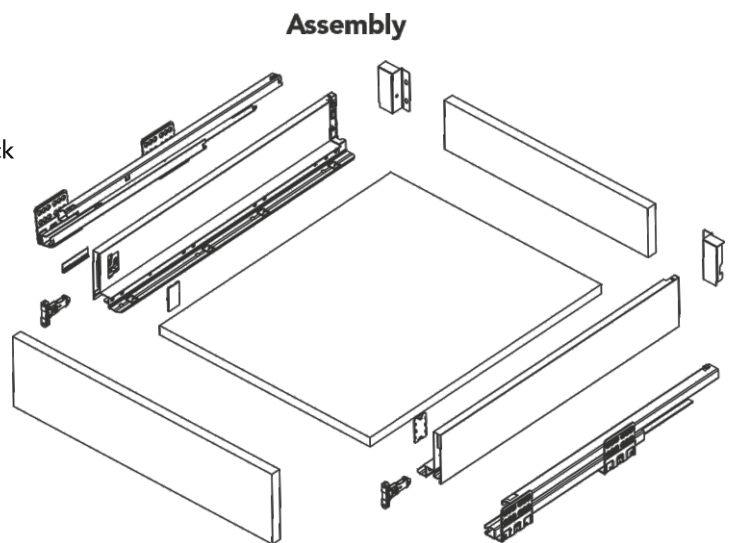
Rolling Shutter White GLASS

Item Code	Width (mm)	Depth (mm)	Height (mm)
SKRS-60-WGS	600	350	1320





- Full extension with self closing and soft closing
- Fashionable appearance, show motion, easy assembling
- Drawer height 86, 118, 199mm
- Synchronized concealed slide, loading capacity 45kg
- Epoxy coated
- 3D regulations, up and down, left and right, front and back
- Finish : Grey





Slim Tandem Box - 86mm

Item Code	Width (Inch)	Width (mm)	Side Panel Height
SSBX-12-86	12"	300	86mm
SSBX-14-86	14"	350	86mm
SSBX-16-86	16"	400	86mm
SSBX-18-86	18"	450	86mm
SSBX-20-86	20"	500	86mm
SSBX-22-86	22"	550	86mm
SSBX-24-86	24"	600	86mm

PACKING PER CARTON : 6-Set



Slim Tandem Box - 118mm

Item Code	Width (Inch)	Width (mm)	Side Panel Height
SSBX-12-118	12"	300	118mm
SSBX-14-118	14"	350	118mm
SSBX-16-118	16"	400	118mm
SSBX-18-118	18"	450	118mm
SSBX-20-118	20"	500	118mm
SSBX-22-118	22"	550	118mm
SSBX-24-118	24"	600	118mm

PACKING PER CARTON : 6-Set



Slim Tandem Box - 199mm

Item Code	Width (inch)	Width (mm)	Side Panel Height
SSBX-12-199	12"	300	199mm
SSBX-14-199	14"	350	199mm
SSBX-16-199	16"	400	199mm
SSBX-18-199	18"	450	199mm
SSBX-20-199	20"	500	199mm
SSBX-22-199	22"	550	199mm
SSBX-24-199	24"	600	199mm

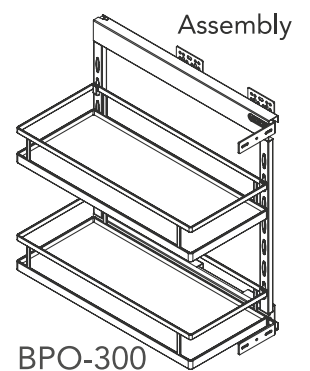
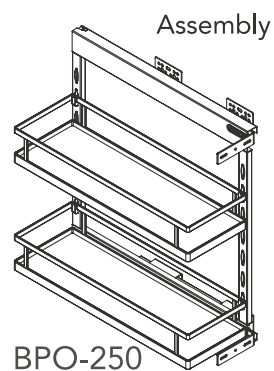
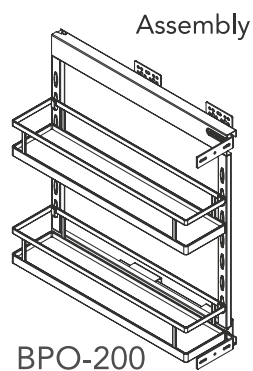
PACKING PER CARTON : 4-Set



Tandem Bottel Pull Out

Item Code	Finish	Cabinet Size (WXDXH)	Outer Cabinet Width	Layers
SKBPO-20-GR	GREY	149 x 480 x 530	200mm	2
SKBPO-25-GR	GREY	199 x 480 x 530	250mm	2
SKBPO-30-GR	GREY	249 x 480 x 530	300mm	2

- Universal Design For Both Left & Right Side Mounting.
- With High Quality Soft Close Quadro Channel.
- Wooden White Base with Metal Rails.
- Elegant & Classy.
- Easy to Install.





PVC Cutlery Tray Grey

Item Code	Width Min. - Max.	Depth Min. - Max.
SCT-370mm	335-370	450-485
SCT-420mm	385-420	450-485
SCT-470mm	435-470	450-485
SCT-520mm	485-520	450-485
SCT-600mm	565-600	450-485
SCT-700mm	665-700	450-485
SCT-800mm	765-800	450-485

PACKING PER CARTON : 5-Set

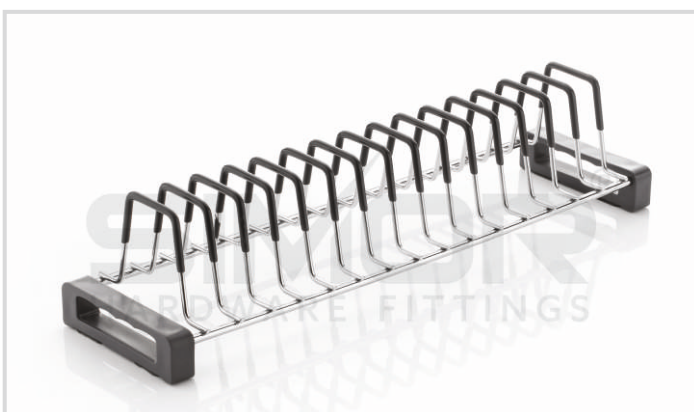


Anti-Skid Matt

Item Code	Width (mm)	Length (mm)
SKASM-45	450	
SKASM-50	500	5000, 20,000
SKASM-55	550	

- Safeguard cutlery from sliding out with these anti skid mats.
- Ideal for kitchen drawers, cabinet/wardrobe shelves, working table, etc.
- Easy to clean and reuse.

PACKING PER CARTON : 1-Roll



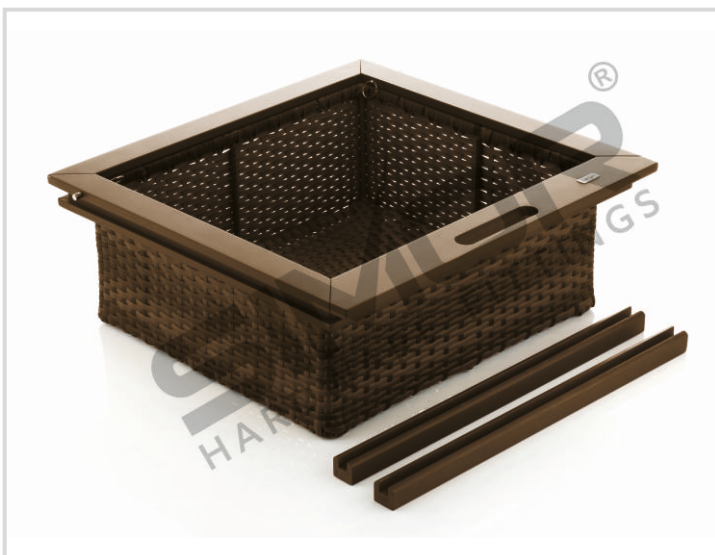
Cup Saucer Stand

Width (mm)	Depth (mm)	Height (mm)
125	450, 500, 550	110



Thali Plate Stand

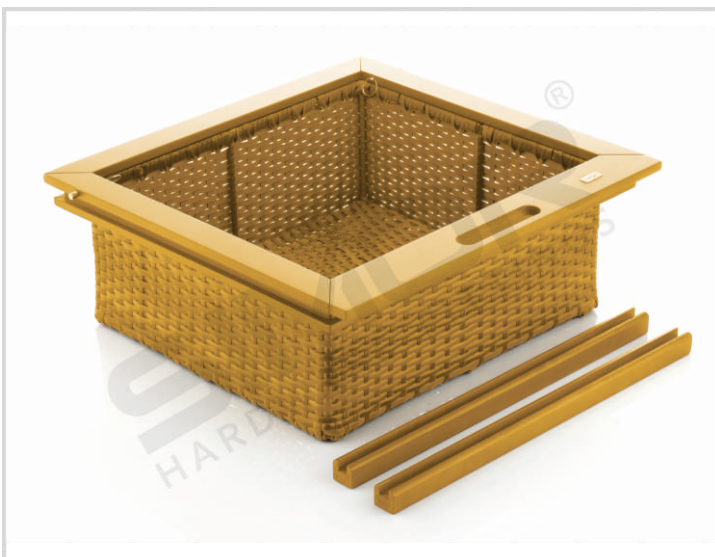
Width (mm)	Depth (mm)	Height (mm)
155	450, 500, 550	160



Wicker Basket (Dark Brown)

Item Code	Inner Size In Mm (W X D X H)	Cabinet Size (w)
SKWB-DB-40/10	414X508X100	450mm
SKWB-DB-40/15	414X508X150	450mm
SKWB-DB-40/20	414X508X200	450mm
SKWB-DB-60/10	564X508X100	600mm
SKWB-DB-60/15	564X508X150	600mm
SKWB-DB-60/20	564X508X200	600mm

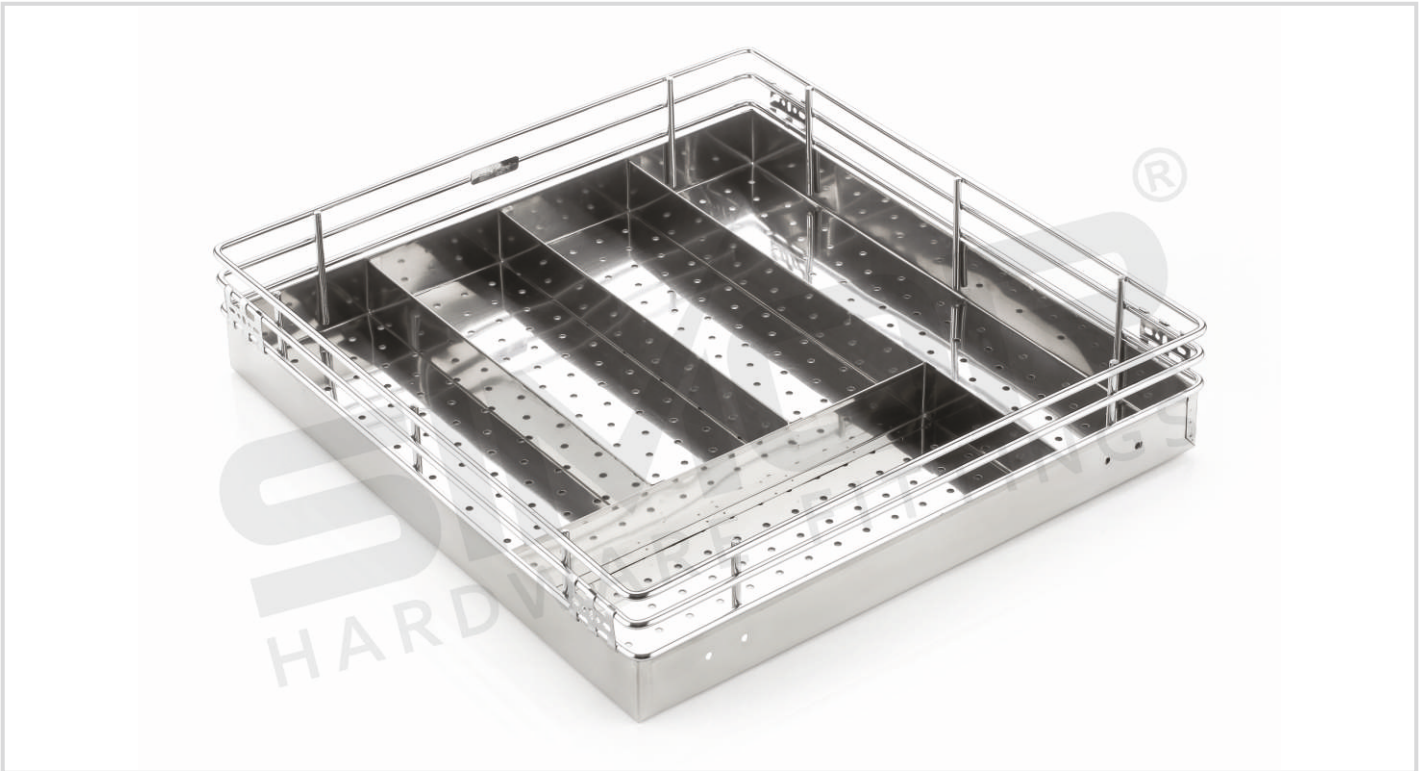
PACKING PER CARTON : 3-Pcs.



Wicker Basket (Yellow Brown)

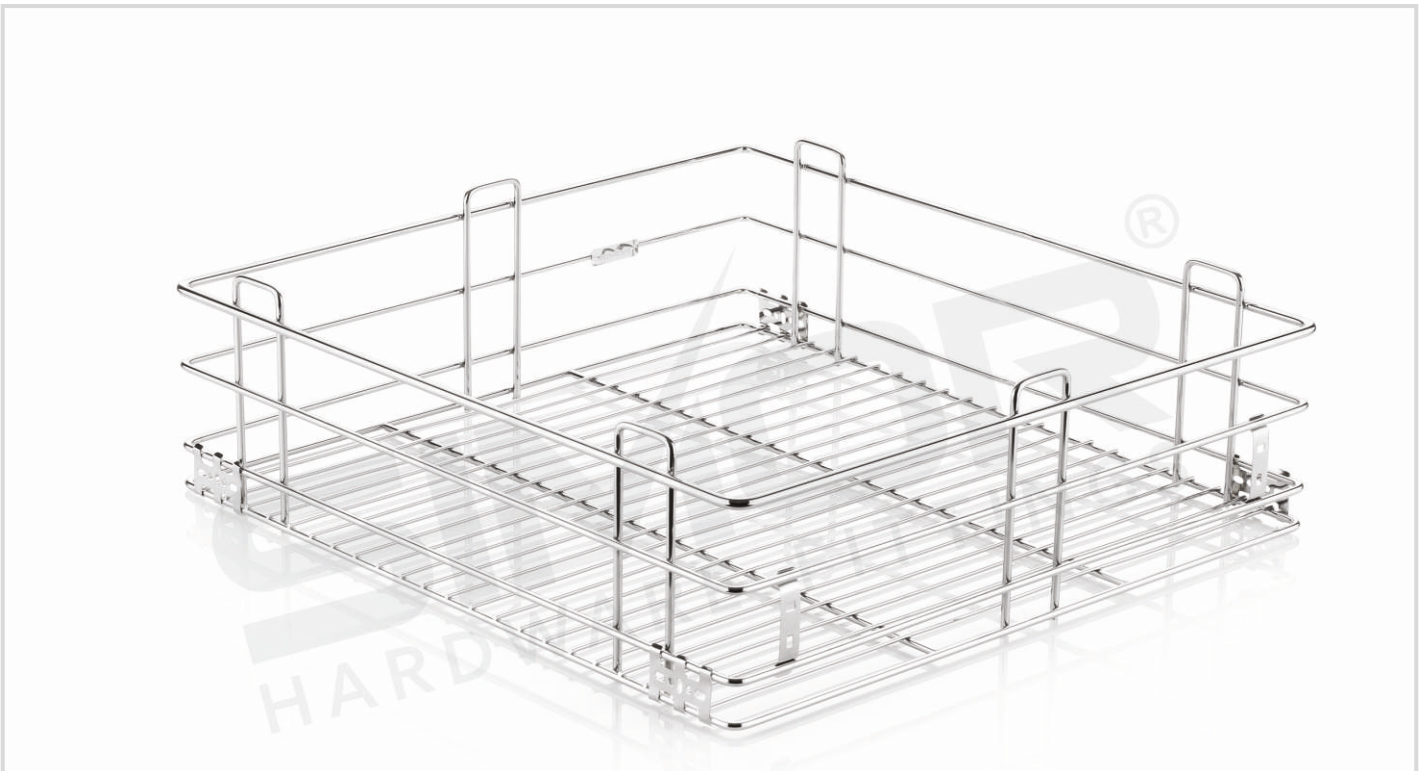
Item Code	Inner Size In mm (W X D X H)	Cabinet Size (w)
SKWB-YB-40/10	414X508X100	450mm
SKWB-YB-40/15	414X508X150	450mm
SKWB-YB-40/20	414X508X200	450mm
SKWB-YB-60/10	564X508X100	600mm
SKWB-YB-60/15	564X508X150	600mm
SKWB-YB-60/20	564X508X200	600mm

PACKING PER CARTON : 3-Pcs.



Perforated Cutlery Basket

Width (inch)	Depth (inch)	Height (inch)
12, 15, 17, 19, 21, 24	16, 18, 20, 22, 24	4



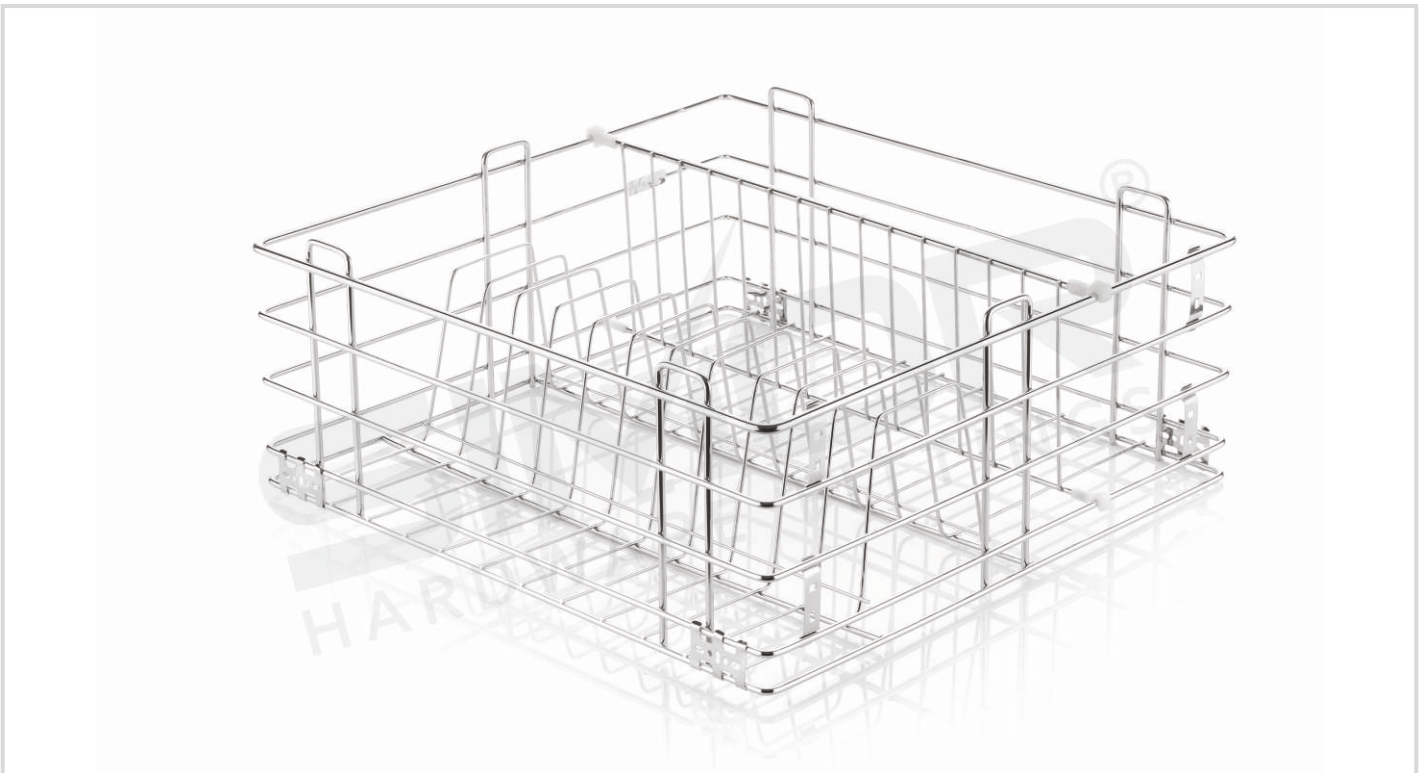
Plain Basket

Width (inch)	Depth (inch)	Height (inch)
12, 15, 17, 19, 21, 24	16, 18, 20, 22, 24	4,6,8



Cup and Saucer Basket

Width (inch)	Depth (inch)	Height (inch)
12, 15, 17, 19, 21, 24	16, 18, 20, 22, 24	4



Thali Basket

Width (inch)	Depth (inch)	Height (inch)
12, 15, 17, 19, 21, 24	16, 18, 20, 22, 24	8

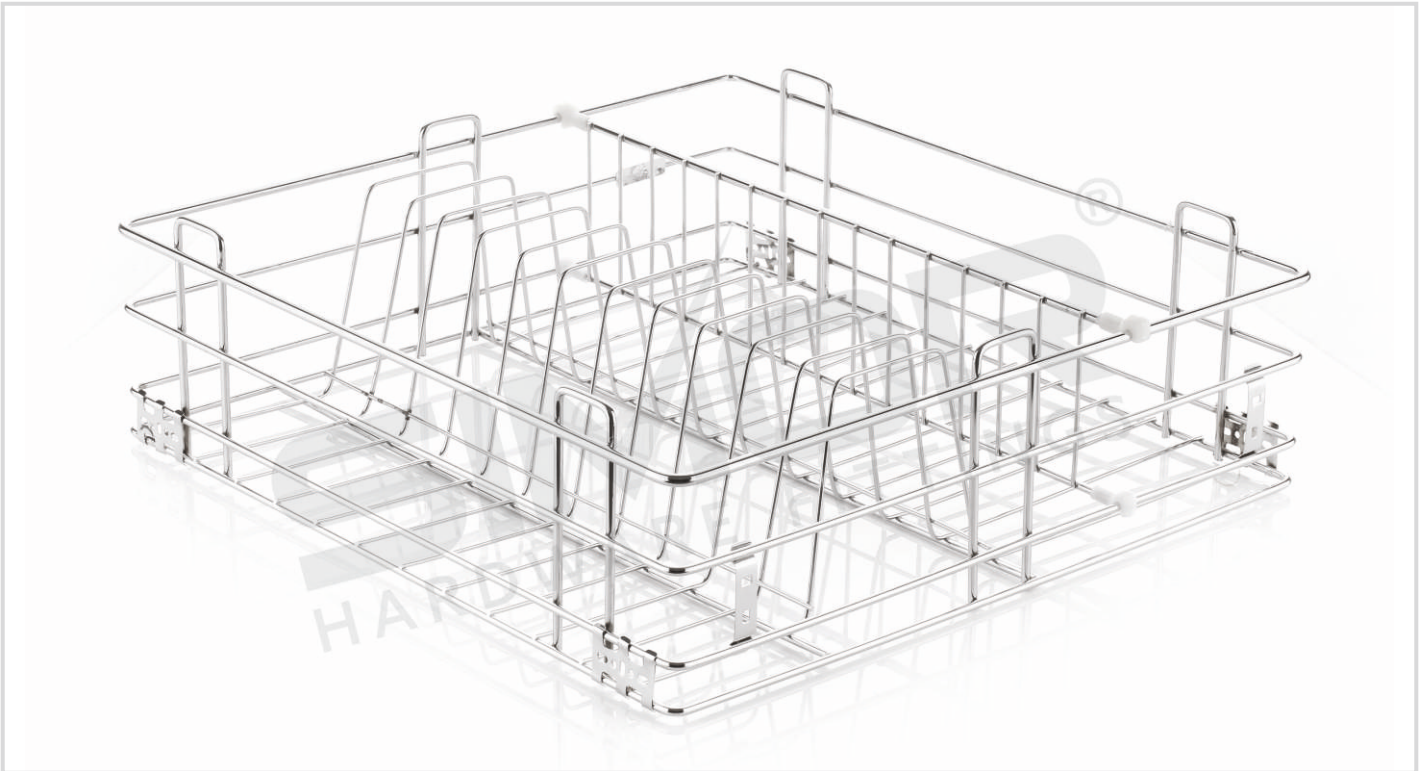
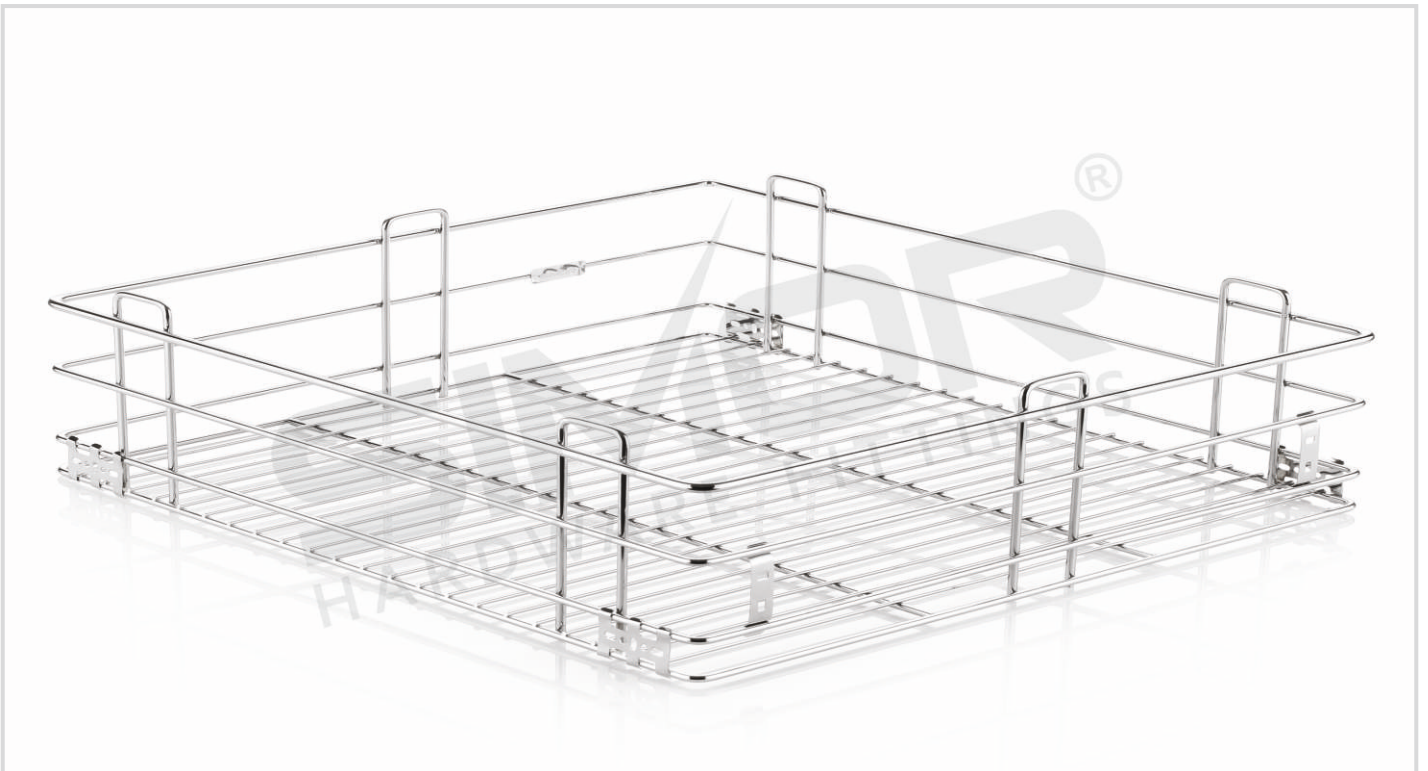


Plate Basket

Width (inch)	Depth (inch)	Height (inch)
12, 15, 17, 19, 21, 24	16, 18, 20, 22, 24	6



Large Plain Basket

Width (inch)	Depth (inch)	Height (inch)
28, 32, 36	20	4, 6, 8



Two Shelf Pullout

Width (inch)	Depth (inch)	Height (inch)
4, 6, 8, 12	16, 18, 20	17



Three Shelf Pullout

Width (inch)	Depth (inch)	Height (inch)
4, 6, 8, 12	16, 18, 20	21



Single Corner

Width (inch)	Depth (inch)	Height (inch)
9	9	7



Double Corner

Width (inch)	Depth (inch)	Height (inch)
9	9	10



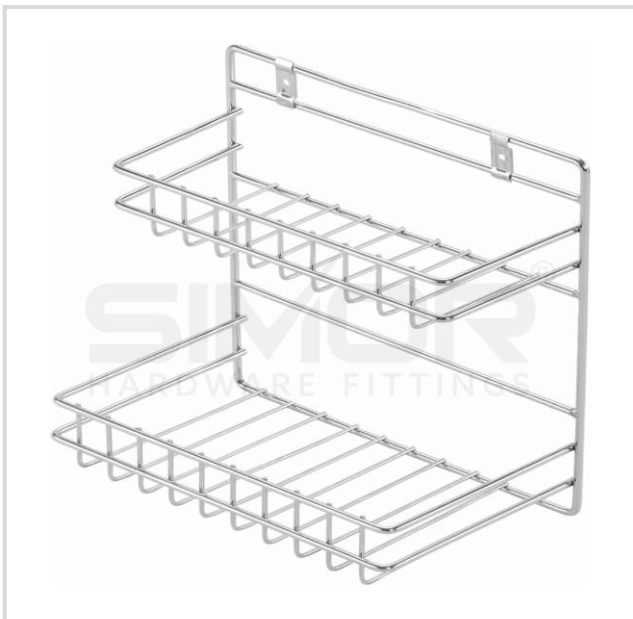
Triple Corner

Width (inch)	Depth (inch)	Height (inch)
9	9	27



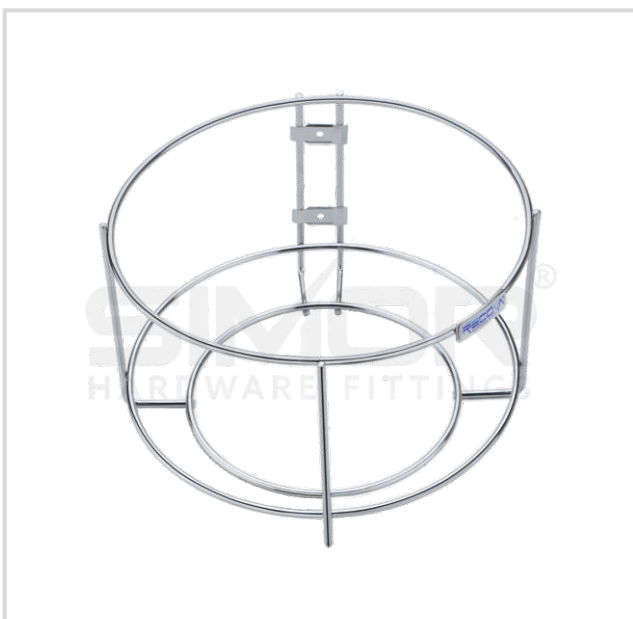
Glass Hanging Rack

Width (inch)	Depth (inch)	Height (inch)
12	4	13



Detergent Holder

Width (inch)	Depth (inch)	Height (inch)
12	6	12



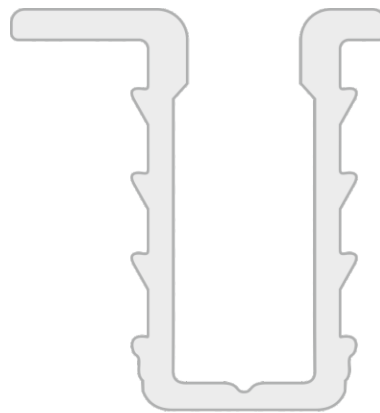
Bin Holder

Dia
10"



Sliding Track for SWWF-02

Item Code	Size	Finish	Box Qty.
SWWT-02	3.00 Mtr.	SILVER	100pcs.
SWWT-02	3.66 Mtr.	SILVER	100pcs.



Sliding Track for SWWF-03/09

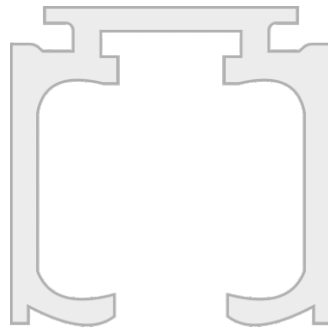
Item Code	Size	Finish	Box Qty.
SWWT-03	2.44 Mtr.	SILVER	25pcs.
SWWT-03	3.66 Mtr.	SILVER	25pcs.





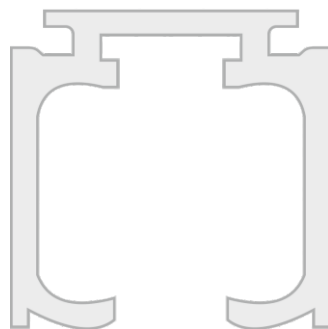
Sliding Track for SDSF-20 & SDSF-21

Item Code	Size	Finish	Box Qty.
SUST-05	2.44 Mtr.	SILVER	20pcs.
SUST-05	3.66 Mtr.	SILVER	15pcs.



Sliding Track for SDSF-22 & SDSF-23

Item Code	Size	Finish	Box Qty.
SUST-06	2.44 Mtr.	SILVER	20pcs.
SUST-06	3.66 Mtr.	SILVER	15pcs.





Sliding Track Top & Bottom for SWWF-08/10 (73mm)

Item Code	Size	Finish	Door Thickness
SWST-08	2.44 Mtr.	Silver	19-22mm
SWST-08	3.00 Mtr.	Silver	19-22mm
SWST-08	3.66 Mtr.	Silver	19-22mm



Box Qty. : 10Set.



Sliding Track Top & Bottom for SWWF-08/10 (84mm)

Item Code	Size	Finish	Door Thickness
SWST-08	2.44 Mtr.	Silver	22-25mm
SWST-08	3.00 Mtr.	Silver	22-25mm
SWST-08	3.66 Mtr.	Silver	22-25mm



Box Qty. : 10Set.



GLITTER SERIES



Sliding Track Top & Bottom for SWWF-08/10 (73mm)

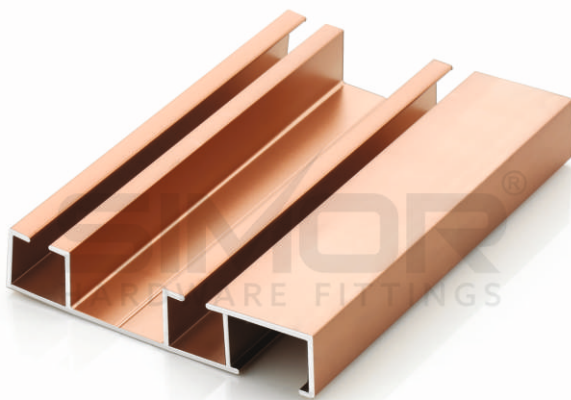
Item Code	Size	Finish	Door Thickness
SWST-12	2.44 Mtr.	Rose Gold	19-22mm
SWST-12	3.00 Mtr.	Black	19-22mm
SWST-12	3.66 Mtr.	Silver	19-22mm



Box Qty. : 10Set.



GLITTER SERIES



Sliding Track Top & Bottom for SWWF-08/10 (84mm)

Item Code	Size	Finish	Door Thickness
SWST-12	2.44 Mtr.	Rose Gold	22-25mm
SWST-12	3.00 Mtr.	Black	22-25mm
SWST-12	3.66 Mtr.	Silver	22-25mm



Box Qty. : 10Set.





Wardrobe Sliding Fitting for SWWT-02

Item Code	Apply For	Box Qty.
SWWF-02	One Door Fitting	100 Set

Specification:

- Easy Installation
- Apply to wooden furniture, poly-wood furniture.
- Loading capacity of door: 25kg.



Wardrobe Sliding Fitting for SWWT-03

Item Code	Apply For	Box Qty.
SWWF-03	One Door Fitting	50 Set

Specification:

- Easy Installation
- Apply to wooden furniture, poly-wood furniture.
- Loading capacity of door: 35kg.



Wardrobe Sliding Fitting (2 Door - 2 Way Soft Close) with long metal pump for SWST-08/12

Item Code	Type	Box Qty.
SWWF-08	Two Door Fitting	15 Set

Specification:

- Easy Installation
- Apply to wooden furniture, poly-wood furniture.
- Loading capacity of door: 60kg.
- Material: SS + Iron + Nylon



Wardrobe Sliding Fitting (2 Door - Soft Close) for SWWT-03

Item Code	Type	Box Qty.
SWWF-09	Two Door Fitting	15 Set

Specification:

- Easy Installation
- Apply to wooden furniture, poly-wood furniture.
- Loading capacity of door: 35kg.



Wardrobe Sliding Fitting (2 Door - 2 Way Soft Close) with long metal pump for SWST-08/12

Item Code	Type	Box Qty.
SWWF-10	Two Door Fitting	15 Set

Specification:

- Easy Installation
- Apply to wooden furniture, poly-wood furniture.
- Loading capacity of door: 80kg.
- Used for: Wooden Door & Profile Door

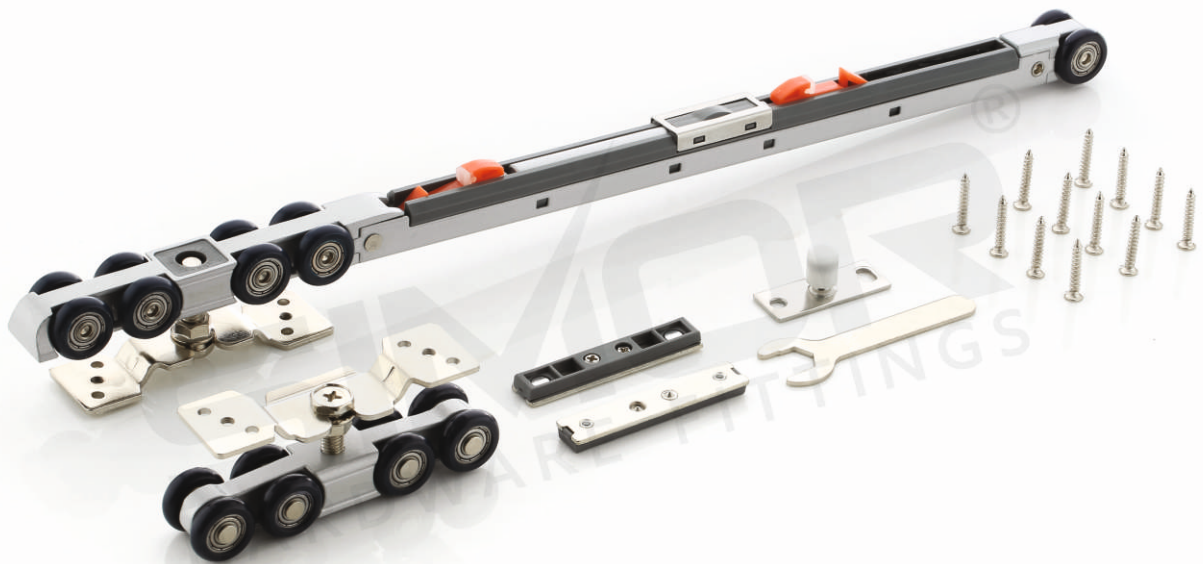


Door Sliding Fittings-20

Box Qty. : 20 Set.

Material: Aluminium, Mild Steel, PVC Parts

Item Code	Load Capacity	Finish	Door Thickness	Wheel	Suitable for	Packing
SDSF-20	60 Kg.	Metallic Silver	18mm to 35mm	4 Wheel	SUST-05	Single Door Kit

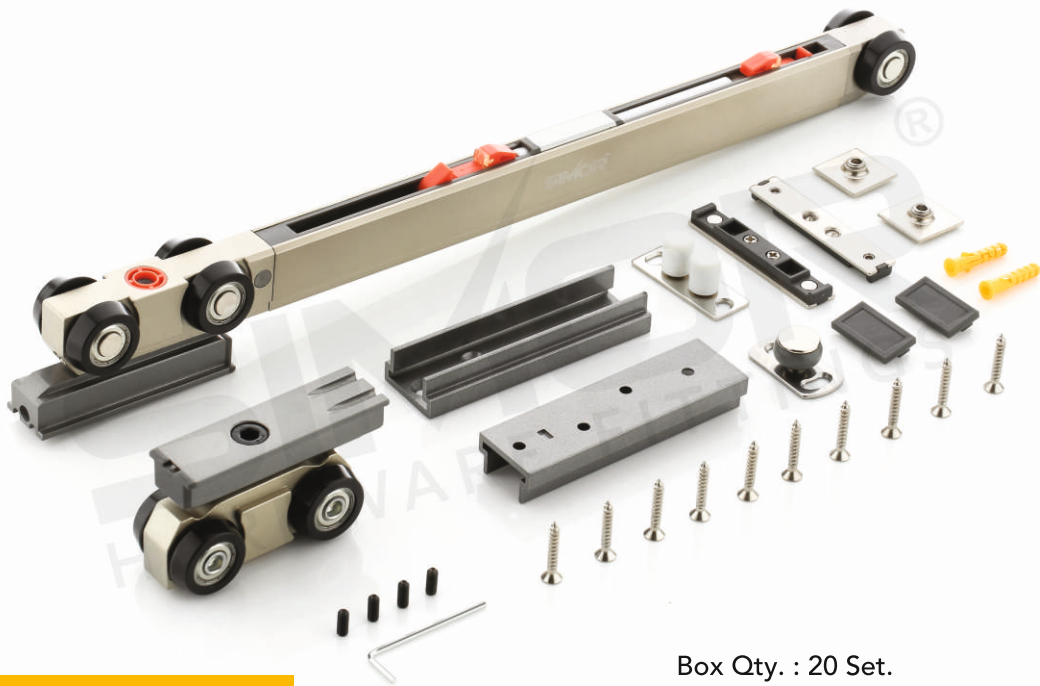


Door Sliding Fittings-21

Box Qty. : 20 Set.

Material: Aluminium, Mild Steel, PVC Parts

Item Code	Load Capacity	Finish	Door Thickness	Wheel	Suitable for	Packing
SDSF-21	80 Kg.	Metallic Silver	18mm to 45mm	8 Wheel	SUST-05	Single Door Kit



Door Sliding Fittings-22

Box Qty. : 20 Set.

Material: Aluminium, Mild Steel, PVC Parts

Item Code	Load Capacity	Finish	Door Thickness	Used For	Suitable for	Packing
SDSF-22	120 Kg.	Metallic Silver	18mm to 45mm	Heavy Door	SUST-06	Single Door Kit



Door Sliding Fittings-23

Box Qty. : 20 Set.

Material: Aluminium, Mild Steel, PVC Parts

Item Code	Load Capacity	Finish	Door Thickness	Used For	Suitable for	Packing
SDSF-23	140 Kg.	Metallic Silver	18mm to 45mm	Heavy Door	SUST-06	Single Door Kit



Rose Gold

Aluminium Shutter Profile-(Regular)

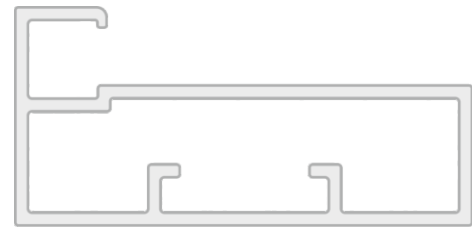
Item Code	Type	Size	Box Qty.
SRAP-01	Regular	3 Mtr.	10 Pcs.



Grey



Black



- Inclusive of gasket for 4mm glass
- 45mm Shutter Profile
- Glass Thickness: 4mm, 5mm



Black

Aluminium Shutter Profile-(Regular)

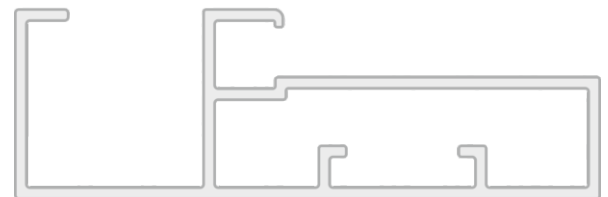
Item Code	Type	Size	Box Qty.
SRAP-02	Regular	3 Mtr.	10 Pcs.



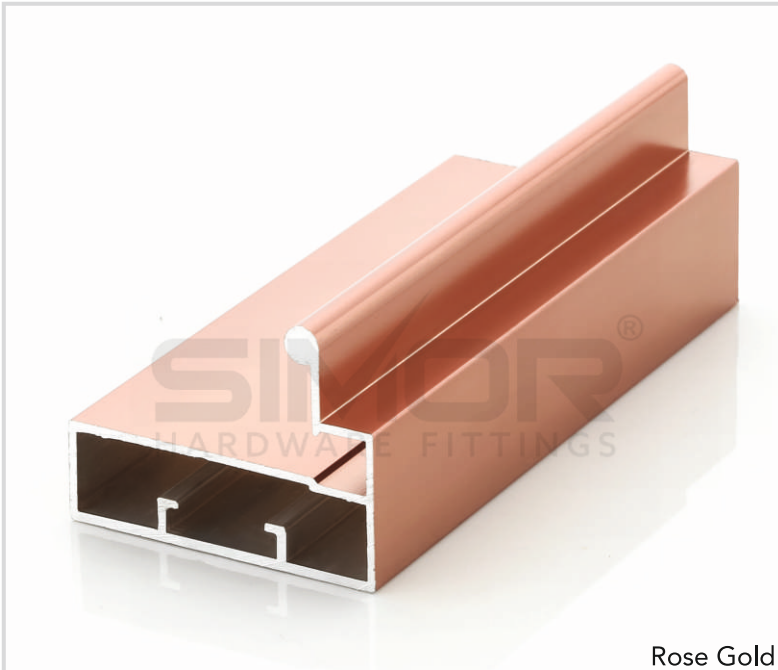
Grey



Rose Gold



- Inclusive of gasket for 4mm glass
- 67mm Shutter Profile
- Glass Thickness: 4mm, 5mm



Rose Gold

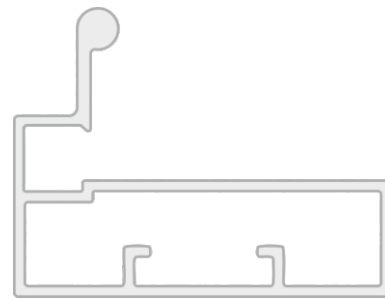
Aluminium Shutter Profile-(Regular)



Grey



Black



Item Code	Type	Size	Box Qty.
SRAP-04	Regular	3 Mtr.	10 Pcs.

- Inclusive of gasket for 4mm glass
- 45mm Shutter Handle Profile
- Glass Thickness: 4mm, 5mm



GLITTER SERIES



Rose Gold

Aluminium Shutter Profile-(Glitter)

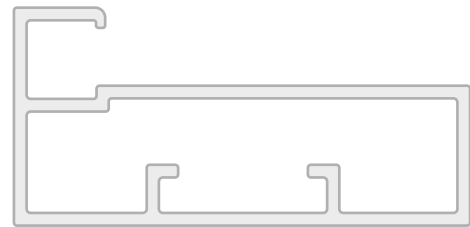
Item Code	Type	Size	Box Qty.
SRAP-01	Glitter	3 Mtr.	10 Pcs.



Grey



Black



- Inclusive of gasket for 4mm glass
- 45mm Shutter Profile
- Glass Thickness: 4mm, 5mm

GLITTER SERIES



Grey

Aluminium Shutter Profile-(Glitter)

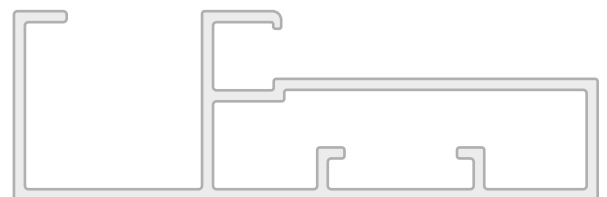
Item Code	Type	Size	Box Qty.
SRAP-02	Glitter	3 Mtr.	10 Pcs.



Black

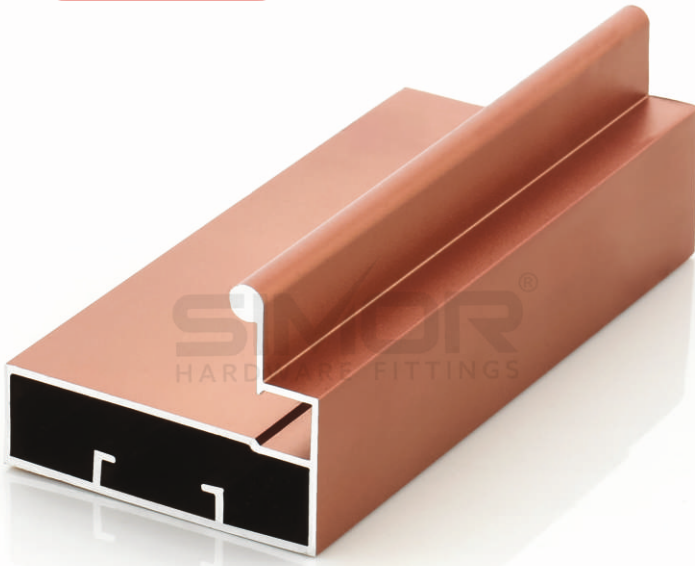


Rose Gold



- Inclusive of gasket for 4mm glass
- 67mm Shutter Profile
- Glass Thickness: 4mm, 5mm

GLITTER SERIES



Rose Gold

Aluminium Shutter Profile-(Glitter)

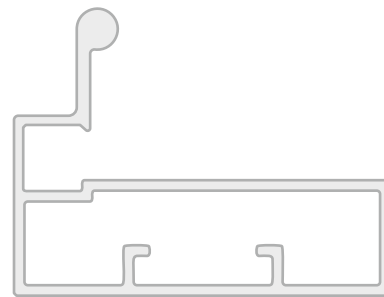
Item Code	Type	Size	Box Qty.
SRAP-04	Glitter	3 Mtr.	10 Pcs.



Grey



Black



- Inclusive of gasket for 4mm glass
- 45mm Shutter Handle Profile
- Glass Thickness: 4mm, 5mm

GLITTER SERIES



Black

Aluminium Shutter Profile-(Glitter)

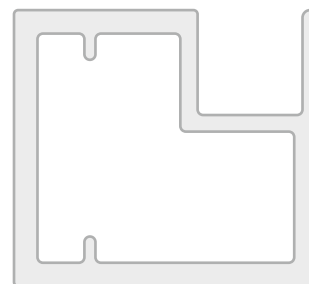
Item Code	Type	Size	Box Qty.
SRAP-05	Glitter	3 Mtr.	10 Pcs.



Grey

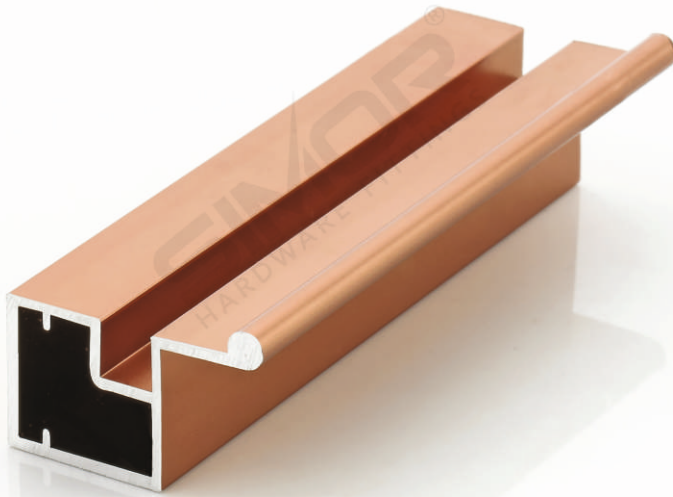


Rose Gold



- Inclusive of gasket for 4mm glass
- 20mm Shutter Profile
- Glass Thickness: 4mm, 5mm

GLITTER SERIES



Rose Gold

Aluminium Shutter Profile-(Glitter)

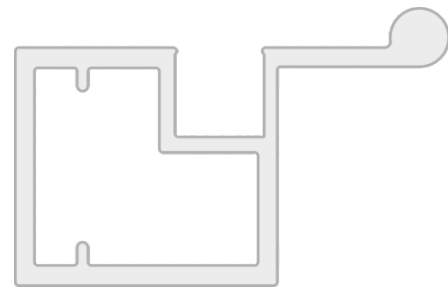
Item Code	Type	Size	Box Qty.
SRAP-06	Glitter	3 Mtr.	10 Pcs.



Grey



Black



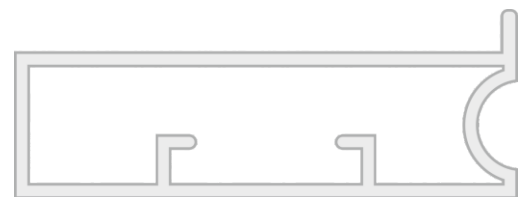
- Inclusive of gasket for 4mm glass
- 20mm Shutter Handle Profile
- Glass Thickness: 4mm, 5mm



Black

Aluminium Pasting Profile

Item Code	Type	Size	Box Qty.
SRAP-07	Regular	3 Mtr.	10 Pcs.



- Stick on frame profile with edge
- 45mm Shutter Profile
- Suitable for 4mm glass



Black

Aluminium Shutter Profile

Item Code	Type	Size	Box Qty.
SRAP-08	Regular	3 Mtr.	10 Pcs.

- Stick on Handle profile with edge
- Suitable for 4mm glass



Grey

Aluminium G-Handle Profile (Glitter)

Item Code	Type	Size	Width	Box Qty.
SRAP-11	Glitter	3 Mtr.	35mm	10 Pcs.

- G - Handle Profile
- Minimum plywood thickness - 19mm

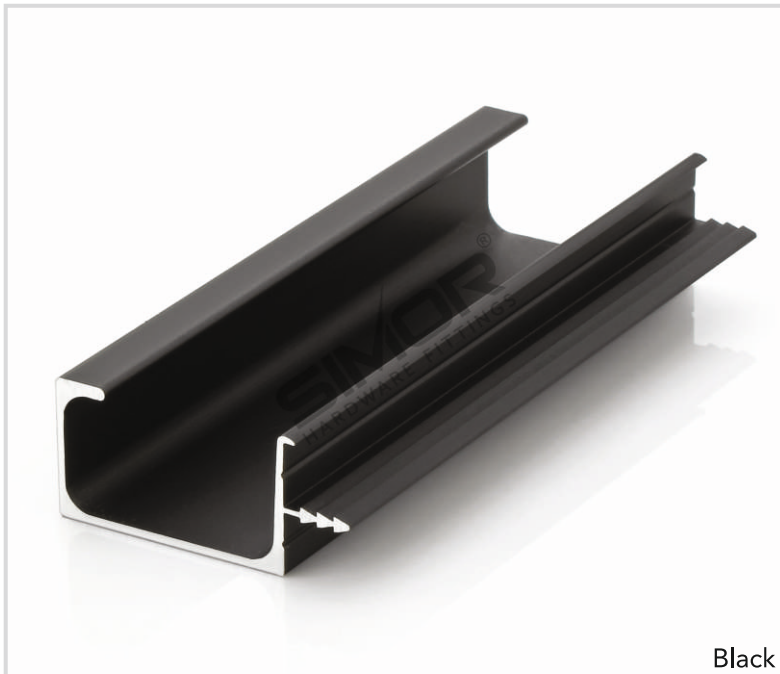


Black



Rose Gold

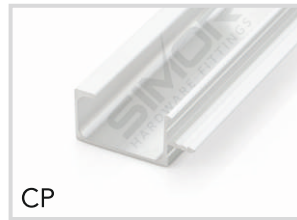




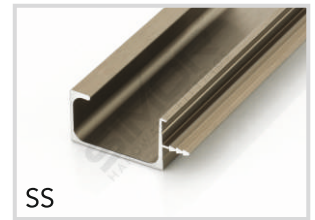
Black

Aluminium Profile G-Handle-(Regular)

Item Code	Type	Size	Width	Box Qty.
SRAP-11	Regular	3 Mtr.	35mm	10 Pcs.



CP



SS



Rose Gold



Grey



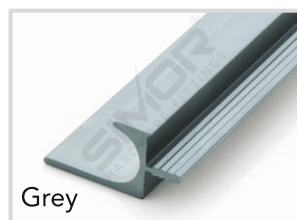
- G - Handle Profile
- Minimum plywood thickness - 19mm



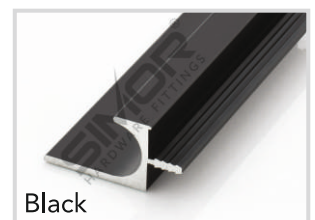
Black

Aluminium Profile J-Handle-(Glitter)

Item Code	Type	Size	Box Qty.
SRAP-13	Glitter	3 Mtr.	10 Pcs.



Grey



Black



Rose Gold



- J - Handle Profile
- Minimum plywood thickness - 19mm

GLITTER SERIES



Rose Gold

Aluminium Profile U-Handle-(Glitter)

Item Code	Type	Size	Box Qty.
SRAP-14	Glitter	3 Mtr.	10 Pcs.



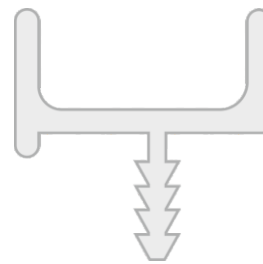
Grey



Black



Gold



- Aluminium Handle Profile
- Profile Thickness: 1.8mm
- Material: Aluminium



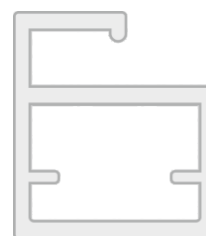
Brush Gold

Aluminium Shutter Profile

Item Code	Type	Size	Box Qty.
SRAP-15	Regular	3 Mtr.	10 Pcs.



Black



- 20mm Slim Frame Profile
- Finish: Brush Gold & Black





Black & Brush Gold

Aluminium Profile CNC 20mm

Item Code	Type	Size	Box Qty.
SRAP-16	Left & Right	3 Mtr.	10 Pcs.

- 20mm CNC Handle Profile
- Left & Right Opening



Black & Brush Gold

Aluminium Profile CNC 20mm

Item Code	Type	Size	Box Qty.
SRAP-17	Left & Right	3 Mtr.	10 Pcs.

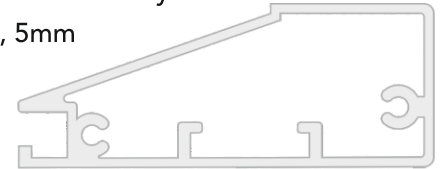
- 20mm CNC Handle Profile
- Left & Right Opening



Aluminium Tapper Profile-(Bella)

- Side Profile Bella Door System
- Glass: 4mm, 5mm

Item Code	Type	Size	Box Qty.
SRAP-20	Bella	3 Mtr.	10 Pcs.



Aluminium Tapper Profile Handle

- Handle for Bella Door System

Item Code	Type	Size	Box Qty.
SRAP-20A	Glitter	120mm&1200mm	10 Pcs.



Aluminium Horizontal Profile Suitable for Tapper Profile

ITEM CODE	Size	Type
SRAP-20	250mm	Top & Bottom
SRAP-20	348mm	Top & Bottom
SRAP-20	398mm	Top & Bottom
SRAP-20	448mm	Top & Bottom
SRAP-20	498mm	Top & Bottom
SRAP-20	548mm	Top & Bottom
SRAP-20	598mm	Top & Bottom
SRAP-20	748mm	Top & Bottom
SRAP-20	898mm	Top & Bottom

Finish : Black, Rose Gold





Black

Aluminium L-Gola Profile-(Regular)

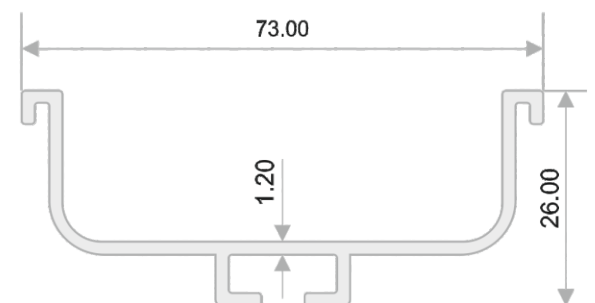
Item Code	Type	Size	Box Qty.
SRAP-30	Regular	3 Mtr.	10 Pcs.



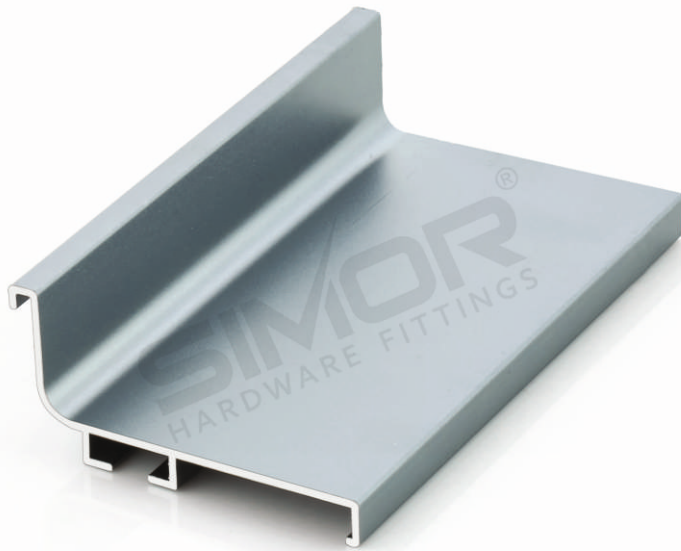
Black

Aluminium C-Gola Profile

Item Code	Type	Size	Box Qty.
SRAP-31	Regular	3 Mtr.	10 Pcs.



GLITTER SERIES



Grey



Black



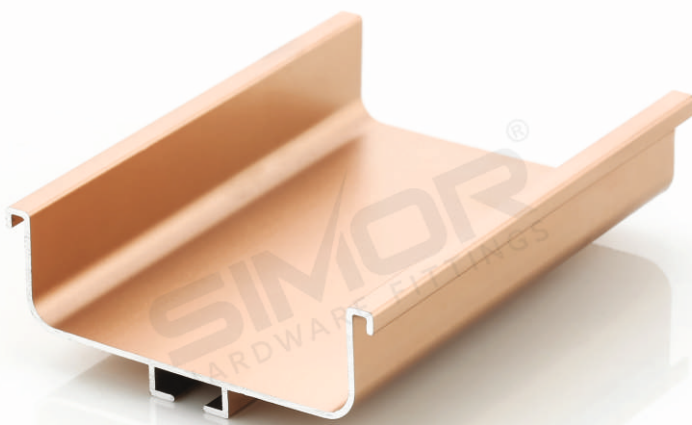
Rose Gold



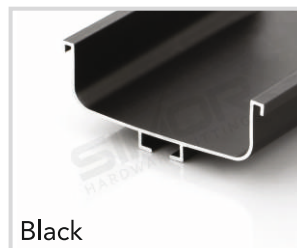
Aluminium L-Gola Profile-(Glitter)

Item Code	Type	Size	Box Qty.
SRAP-30	Glitter	3 Mtr.	10 Pcs.

GLITTER SERIES



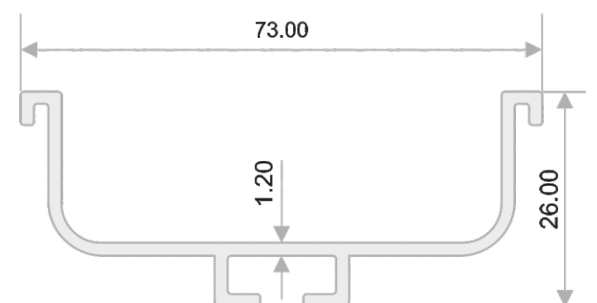
Rose Gold



Black



Grey



Aluminium C-Gola Profile-(Glitter)

Item Code	Type	Size	Box Qty.
SRAP-31	Glitter	3 Mtr.	10 Pcs.



SS



Black



Side Mount Hanging Bracket

Wardrobe Pipe

Item Code	Finish	Size	Box Qty.
SWRP-001	SS & Black	3.66 Mtr.	15 Pcs.



Edge Profile

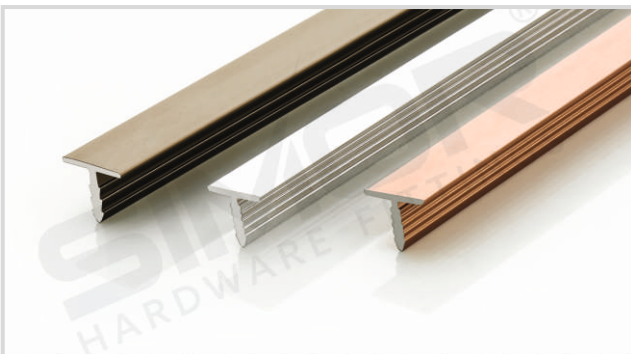
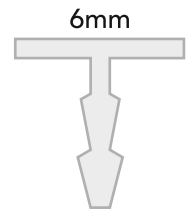
Item Code	Thickness	Color	Box Qty.
SRAP-51	22mm	Black	40-Pcs.
SRAP-52	25mm	Black	40-Pcs.
SRAP-54	32mm	Black	40-Pcs.



Inlay Profile-SRAP-66

Finish	SS, Chrome, Rose Gold, Gold, Black
Width	06mm
Height	06mm
Length	3 Mtr.

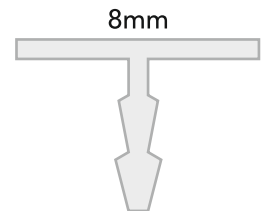
- Material: Aluminium
- Simple & Easy for Installation
- Attractive & Elegant Looking
- Nice Straightness & Smoothness.



Inlay Profile-SRAP-67

Finish	SS, Chrome, Rose Gold, Gold, Black
Width	08mm
Height	06mm
Length	3 Mtr.

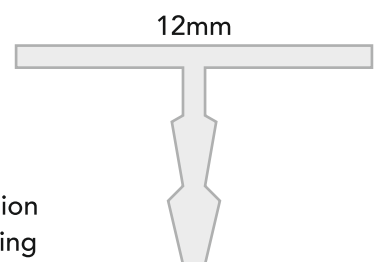
- Material: Aluminium
- Simple & Easy for Installation
- Attractive & Elegant Looking
- Nice Straightness & Smoothness.

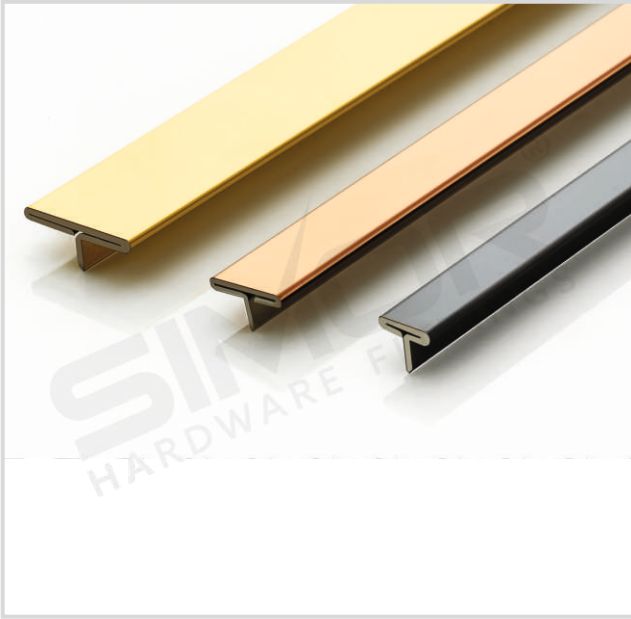


Inlay Profile-SRAP-68

Finish	SS, Chrome, Rose Gold, Gold, Black
Width	12mm
Height	06mm
Length	3 Mtr.

- Material: Aluminium
- Simple & Easy for Installation
- Attractive & Elegant Looking
- Nice Straightness & Smoothness.

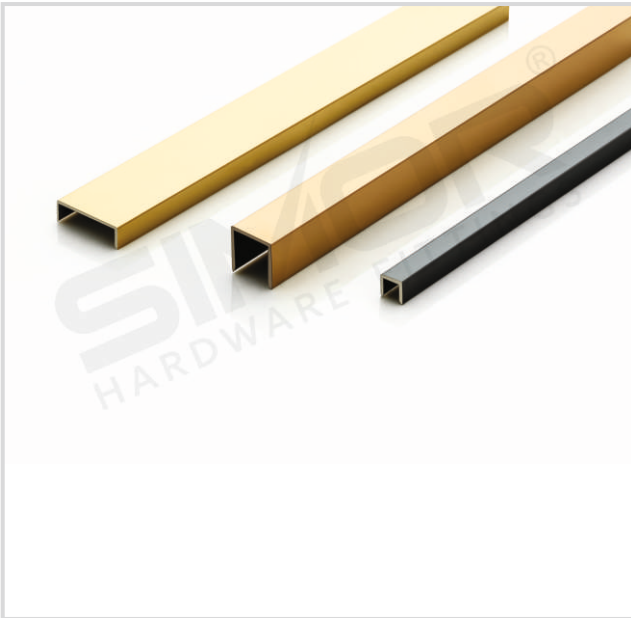
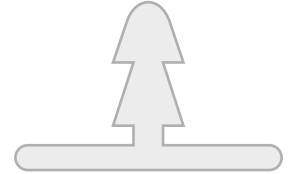




Inlay T-Profile-SRAP-70

Finish (PVD)	Gold Mirror, Rose Gold Mirror, Black Mirror
Width	06mm, 08mm, 12mm, 19mm, 25mm
Height	05mm
Length	3 Mtr.

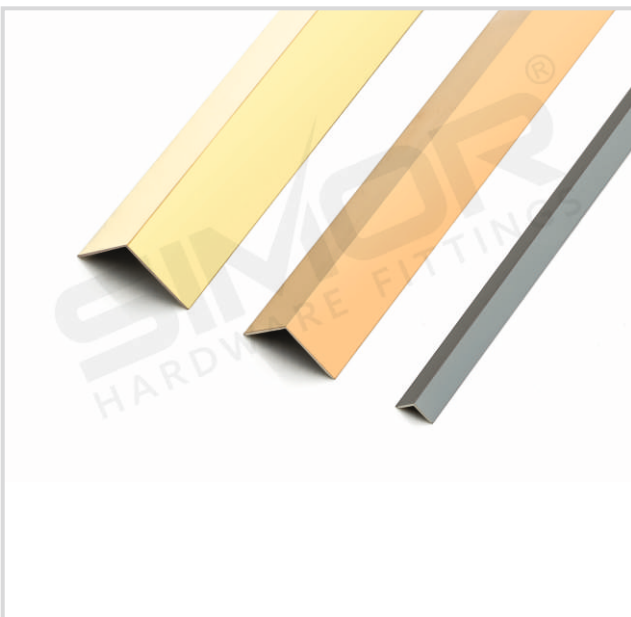
- Stainless Steel 304
- Thickness 0.8mm
- Simple & Easy for Installation
- Attractive & Elegant Looking
- Nice Straightness & Smoothness.



Inlay U-Profile-SRAP-71

Finish (PVD)	Gold Mirror, Rose Gold Mirror, Black Mirror
Width	06mm, 08mm, 12mm, 19mm, 25mm
Height	06mm, 08mm, 12mm, 06mm, 06mm
Length	3 Mtr.

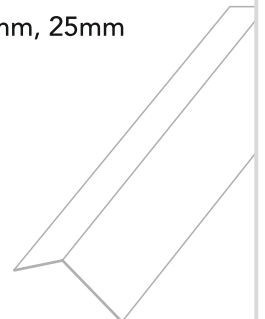
- Stainless Steel 304
- Thickness 0.8mm
- Simple & Easy for Installation
- Attractive & Elegant Looking
- Nice Straightness & Smoothness.



Inlay L-Profile-SRAP-72

Finish (PVD)	Gold Mirror, Rose Gold Mirror, Black Mirror
Width	06mm, 08mm, 12mm, 19mm, 25mm
Height	06mm, 08mm, 12mm, 19mm, 25mm
Length	3 Mtr.

- Stainless Steel 304
- Thickness 0.8mm
- Simple & Easy for Installation
- Attractive & Elegant Looking
- Nice Straightness & Smoothness.





Profile Connector

Code No.	SAPC-01
Finish	Zinc
Material	MS
Suitable for	SRAP-01, 02, 03, 04, 05, 06, 07, 08
Packing	1 Set (4 Pcs. with screw)



Fish Connector

Code No.	SAPC-02
Finish	Zinc
Material	MS
Suitable for	SRAP - 20 (Tapper Profile)
Packing	1 Set (4 Pcs. with screw)



Gola Profile Connector

Code No.	SGPC-03
Finish	Zinc
Material	MS
Suitable for	SRAP-30, 31 (Gola Profile)
Packing	4 Set (4 Pcs. with screw)



G-Profile End Cap

Code No.	SRAP11-EC
Finish	Rose Gold, Black, Grey, SS, CP, Gold, Silver
Material	PVC
Suitable for	SRAP-11 (G-Profile)
Packing	1 Set (1Pcs. left and 1Pcs. right)



L-Gola End Cap

Code No.	SRAP30-EC
Finish	Rose Gold, Black, SS, CP, Silver
Material	PVC
Suitable for	SRAP-30 (L- Gola Profile)
Packing	1 Set (2Pcs.)



C-Gola End Cap

Code No.	SRAP31-EC
Finish	Rose Gold, Black, SS, CP, Silver
Material	PVC
Suitable for	SRAP-31 (C- Gola Profile)
Packing	1 Set (2Pcs.)



Hinges (SS-304)

Item Code	Type	Opening
SS-SOCL-00-0D	SS-304	0 Crank
SS-SOCL-00-8D	SS-304	8 Crank
SS-SOCL-00-16D	SS-304	16 Crank

Box Qty. : 100set



Hinges (Slip On)

Item Code	Type	Opening
SL-SOCL-00-0D	Slip On	0 Crank
SL-SOCL-00-8D	Slip On	8 Crank
SL-SOCL-00-16D	Slip On	16 Crank

Box Qty. : 100set



Hinges (3D Hinges)

Item Code	Type	Opening
3D-SOCL-00-0D	3D Hinges	0 Crank
3D-SOCL-00-8D	3D Hinges	8 Crank
3D-SOCL-00-16D	3D Hinges	16 Crank

Box Qty. : 100set



Hinges (3D Hinges - Black)

Item Code	Type	Opening
3D-SOCL-00-0D	3D Hinges Black	0 Crank
3D-SOCL-00-8D	3D Hinges Black	8 Crank
3D-SOCL-00-16D	3D Hinges Black	16 Crank

Box Qty. : 100set



Blind Corner Hinges-90°

Material : MS

Item Code	Type	Opening
SHSOCL-90-90D	Soft Close	90 Crank

Box Qty. : 50set



Blind Corner Hinges-90°

Material : MS

Item Code	Type	Opening
3D-SOCL-90-90D	Soft Close 3D	90 Crank

Box Qty. : 50set



Pie Hinges-135°

Material : MS

Item Code	Type	Opening
SHGR-135	Regular	135 Crank

Box Qty. : 50set



Corner Hinges-165°

Material : MS

Item Code	Type	Opening
SHSOCL-165-165D	Soft Close	165 Crank

Box Qty. : 50set



Corner Hinges-165°

Material : MS

Item Code	Type	Opening
SHGR-165	Regular	165 Crank

Box Qty. : 50set



Corner Hinges-165°

Material : MS

Item Code	Type	Opening
3D SOCL-165-165D	Soft Close 3D	165 Crank

Box Qty. : 50set



3D Profile Hinges - Black

Material : MS

Item Code	Type	Opening
PF-SOCL-3D-0D	3D Profile Hinges	0 Crank
PF-SOCL-3D-8D	3D Profile Hinges	8 Crank
PF-SOCL-3D-16D	3D Profile Hinges	16 Crank

Used For 20mm Profile

Box Qty. : 50set



Concealed Hinges (SOSS)

Item Code	Size	Ply.Thickness	Capacity
SOSS-45	13 x 45	19mm	7 Kg.
SOSS-60	13 x 60	19mm	10 Kg.
SOSS-70	16 x 70	22mm	20 Kg.
SOSS-95	19 x 95	25mm	25 Kg.



Gas Pump

Item Code	SGP-01
Size	9"
Capacity	5, 10, 15, 20, 25, 30 Kg.
Packing	50set



Gas Pump

Item Code	SGP-02
Size	12"
Capacity	5, 10, 15, 20, 25, 30, 35, 50 Kg.
Packing	50set



Gas Pump (Soft Close)

Item Code	SGP-03
Size	9"
Capacity	6, 8, 10, 15 Kg.
Packing	50set

Soft
Closing 



Lift-UP Straight

Item Code	Type	Capacity
SLFT-51	Straight Lift-Up (Left & Right)	7 kg.

Product Specification:

- Type: Single Fold
- Material: Zinc Alloy + Plastic
- Load Carrying Capacity: 6 kg.
- Finish: Nickel Plating
- 3D adjustments upto 2mm
- Easy installment & adjustment
- Silent & effortless closing



Lift-UP Bi-Fold

Item Code	Type	Capacity
SBF-01	Bi-Fold	7 kg. to 12 kg.

Product Specification:

- Type: Bi-Fold
- Material: Zinc Alloy + Plastic
- Load Carrying Capacity: 7 - 12 kg.
- Finish: Nickel Plating
- 3D adjustments upto 2mm
- Easy installment & adjustment
- Silent & effortless closing



Bed Frame

Item Code	Type	Size
SRBF-005	Bed Frame	5 Feet - 5 mm

Box Qty. : 4set



Gas Pump

Item Code	Weight Capacity
SBGP-100	100 Kg.
SBGP-125	125 Kg.
SBGP-150	150 Kg.
SBGP-175	175 Kg.
SBGP-200	200 Kg.
SBGP-250	250 Kg.





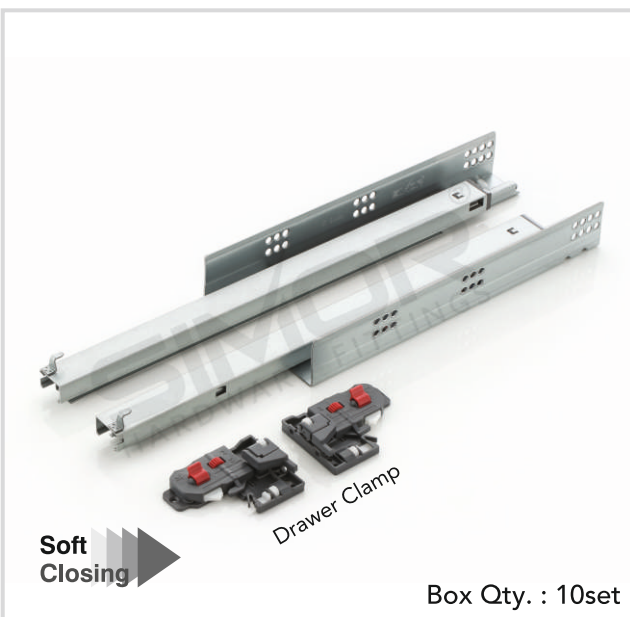
Telescopic Channel-Regular

Item Code	Inc.	Size	mm	Load Capacity
STC-20	8 Inch	200mm		45 Kg.
STC-25	10 Inch	250mm		45 Kg.
STC-30	12 Inch	300mm		45 Kg.
STC-35	14 Inch	350mm		45 Kg.
STC-40	16 Inch	400mm		45 Kg.
STC-45	18 Inch	450mm		45 Kg.
STC-50	20 Inch	500mm		45 Kg.
STC-55	22 Inch	550mm		45 Kg.
STC-60	24 Inch	600mm		45 Kg.



Telescopic Channel-Soft Close

Item Code	Inc.	Size	mm	Load Capacity
STC-SC-30	12 Inch	300mm		45 Kg.
STC-SC-35	14 Inch	350mm		45 Kg.
STC-SC-40	16 Inch	400mm		45 Kg.
STC-SC-45	18 Inch	450mm		45 Kg.
STC-SC-50	20 Inch	500mm		45 Kg.
STC-SC-55	22 Inch	550mm		45 Kg.
STC-SC-60	24 Inch	600mm		45 Kg.



Undermount Channel-Soft Close

Item Code	Inc.	Size	mm	Load Capacity
SDR-30	12 Inch	300mm		45 Kg.
SDR-35	14 Inch	350mm		45 Kg.
SDR-40	16 Inch	400mm		45 Kg.
SDR-45	18 Inch	450mm		45 Kg.
SDR-50	20 Inch	500mm		45 Kg.
SDR-55	22 Inch	550mm		45 Kg.
SDR-60	24 Inch	600mm		45 Kg.

With Wooden Drawer Clamp



Black



Silver

- Suitable for Right & Left Hand Opening
- High Quality & Precision
- Opening Angle: 105°
- Door Weight: Upto 60-80kg.

Door Closer-Regular

Box Qty. : 25set

Item Code	Type	Finish	Load Capacity
SDC-01	Regular	Silver/Black	60-80 Kg.



Black



Gold



AB

Rose Gold

Door Closer-Pelmet Arm

Box Qty. : 10set

Item Code	Type	Finish	Load Capacity
SDC-02	Hold to Open	Black, Rose Gold, Gold, AB	90 Kg.

- Suitable for Right & Left Hand Opening
- High Quality & Precision
- Opening Angle: 180°
- Door Weight: Upto 90kg.
- Can be hold 110°



- Suitable for Right & Left Hand Opening
- High Quality & Precision
- Door Closer Thickness 23mm
- Can be hold 110°

Door Closer-Concealed -03-23mm

Box Qty. : 10set

Item Code	Type	Finish	Door Thickness	Load Capacity	Opening Angle
SCDC-03-23	Concealed	Silver	Min. 32mm	60 Kg.	90°



- Suitable for Right & Left Hand Opening
- High Quality & Precision
- Door Closer Thickness 30mm
- Can be hold 110°

Door Closer-Concealed-03-30mm

Box Qty. : 10set

Item Code	Type	Finish	Door Thickness	Load Capacity	Opening Angle
SCDC-03-30	Concealed	Silver	Min. 38mm	80 Kg.	105°



Cylindrical Lock-With Key

Item Code	Type	Latch Size	Finish
SMR-CL-ET	With Key	70 mm	SS

- Type: With Key
- Material: Metal
- Usage: Door Lock

Box Qty. : 30set



Cylindrical Lock-Without Key

Item Code	Type	Latch Size	Finish
SMR-CL-BK	Without Key	70 mm	SS

- Type: Without Key
- Material: Metal
- Usage: Door Lock

Box Qty. : 30set





Drawer Lock

Item Code	Size	Finish	Material
SDL-20	20mm	Chrome	SS 304
SDL-25	25mm	Chrome	SS 304

Box Qty. : 10pcs



Drawer Lock-Common Key

Item Code	Size	Finish	Material
SDL-20 CK	20mm	Chrome	SS 304

Box Qty. : 10pcs



Cupboard Lock

Item Code	Size	Finish	Material
SCL-20	20mm	Chrome	SS 304
SCL-25	25mm	Chrome	SS 304
SCL-29	29mm	Chrome	SS 304

Box Qty. : 10pcs



Papat Lock-101

Item Code	Key Type	Finish
SSL-101	Laser Long Key	SS

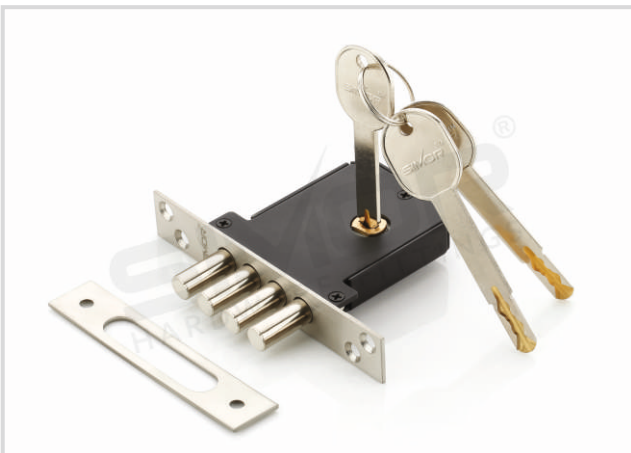
Box Qty. : 50pcs



Dead Lock-102

Item Code	Key Type	Finish
SSL-102	Laser Long Key	SS

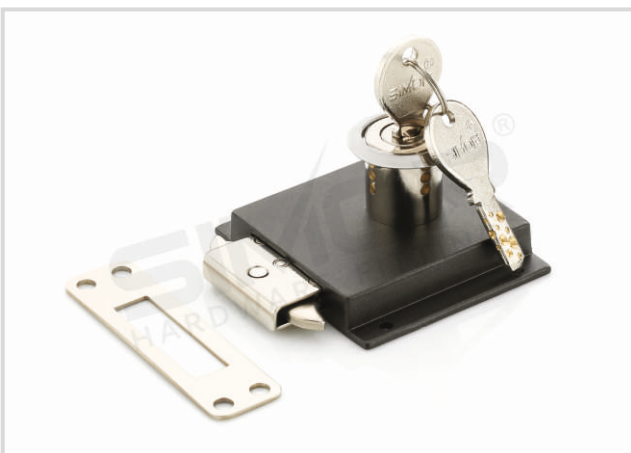
Box Qty. : 50pcs



Dead Lock-103

Item Code	Key Type	Finish
SSL-103	Laser Long Key	SS

Box Qty. : 50pcs



Sliding Dead Lock

Item Code	Size	Finish
SSL-104-25	25 mm	SS
SSL-104-32	32 mm	

Box Qty. : 10pcs



Profile Lock-02

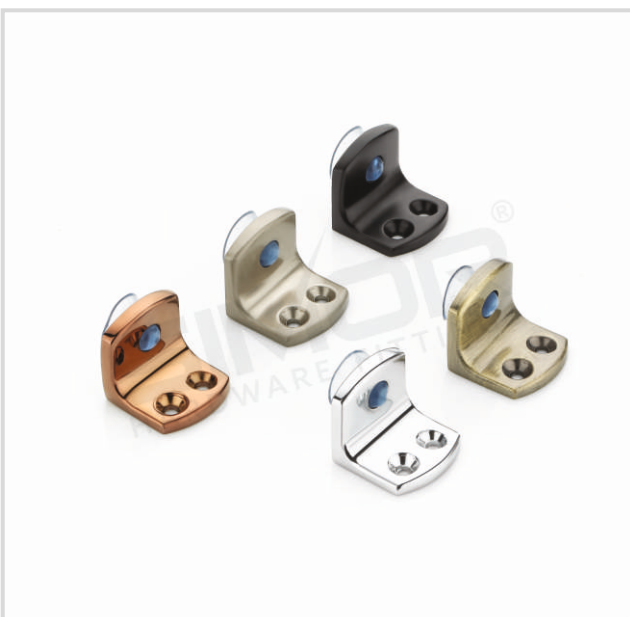
Item Code	Size	Finish
SPL-02	20 mm	Silver

• Suitable for: SRAP-05, 06, 15, 16, 17



Shelf Bottom

Code No.	SRSSB - 01
Finish	CP, AB, Rose Gold, Black
Type	Single Screw Shelf Bottom
Box Qty.	240pcs



Shelf Bottom

Code No.	SRDSB-02
Finish	SS, CP, AB, Rose Gold, Black
Type	Double Screw Shelf Bottom
Box Qty.	120pcs



Door Magnet - SDM-01

Code No.	SDM-01
Finish	SS, AB
Size	4 Inch
Box Qty.	50pcs



Door Magnet - SDM-02

Code No.	SDM-02
Finish	SS, AB, Rose Gold, Black
Size	4 Inch
Box Qty.	50pcs



Door Magnet - SDM-03

Code No.	SDM-03
Finish	SS, AB, PVD Rose Gold, Black, PVD Gold
Size	4 Inch
Box Qty.	50pcs



Door Magnet - SDM-04

Code No.	SDM-04
Finish	SS, AB, PVD Rose Gold, Black, PVD Gold
Size	3 Inch, 4 Inch
Box Qty.	50pcs



Indicator Latch - SS



Push to Open Buffer - White



USE COTTON CLOTH TO CLEAN

DO NOT USE

THINNER



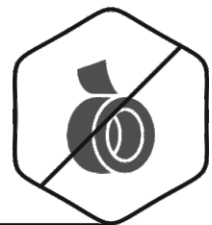
ACID



TOILET CLEANER



MASKING TAPE







DETERGENT POWDER



NOTE

- ▶ if you do not follow above instructions company will not be responsible for the product damage.
- ▶ Images and dimensions given are for reference. Actual product may vary with respect to continuous research & development



-  **Telangana (Hyderabad)**
-  [simorhardwarefittings](#)
-  [simorhardware](#)
-  www.simorhardware.com